

Description

Anti-contamination safety container for dangerous substances. It can house prefilters, rigid bag, absolute and activated carbon filters. The access to the filter holder is possible through the frontal door, while the removal of the filter element is done under the barrier bag (attached instructions). It is equipped with flanged rectangular connections, it is available also in the double face execution for two filter elements.

Costruction

Reinforced execution in welded steel for a perfect tightness, protected by oven-dried epossidic painting. Removable frontal door, with perimetral seal gasket and locking by fold-down tie rods with wheel clamps. Filter fixing system through galvanised steel cam shafts, with safety locking device which stops the door closing if the filter element is not in its proper position. Polyethylene barrier bag fixed by elastic rings to the connection collar with double groove. Available on request: pressure drop connections for measurement and/or test of the pressure drop on site by aerosol, manometer.

Filters

Filter cells with dimensions 305/610x610x48 mm, rigid bag filters with dimensions 287/592x592x290 mm and multi-V filters (absolute and activated carbon) with dimensions 305/610x610x292 mm can be installed.

| Tipo | A | B | H | M | filters |
|--------|------|------|------|------|-----------------|
| | (mm) | (mm) | (mm) | (kg) | (q.tà x misura) |
| 03/P | 515 | 253 | 330 | 23 | 1 x 305x610x48 |
| 03/T | 515 | 253 | 574 | 38 | 1 x 287x592x290 |
| 03/H | 515 | 253 | 574 | 38 | 1 x 305x610x292 |
| 06/P | 820 | 558 | 330 | 40 | 1 x 610x610x48 |
| 06/T | 820 | 558 | 574 | 65 | 1 x 592x592x290 |
| 06/H | 820 | 558 | 574 | 65 | 1 x 610x610x292 |
| 06-2/P | 1600 | 1186 | 330 | 72 | 2 x 610x610x48 |
| 06-2/T | 1600 | 1186 | 574 | 116 | 2 x 592x592x290 |
| 06-2/H | 1600 | 1186 | 574 | 116 | 2 x 610x610x292 |

03 single face
 06 single face
 06-2 double face
 /P for prefilter
 /T for bag filter
 /H for multi-V filter
 M mass filters excluded



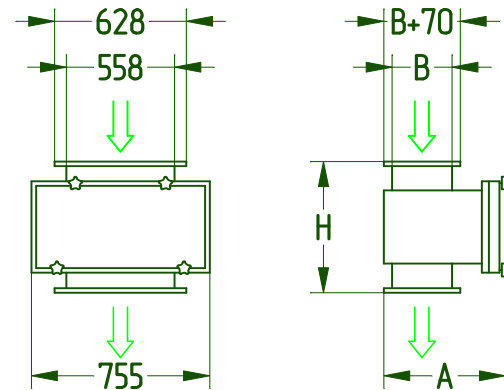
Applications

Filtration of the air coming from environments with toxic, dangerous, radioactive substances: for example laboratories in the chemical, pharmaceutical, biological and hospital field.

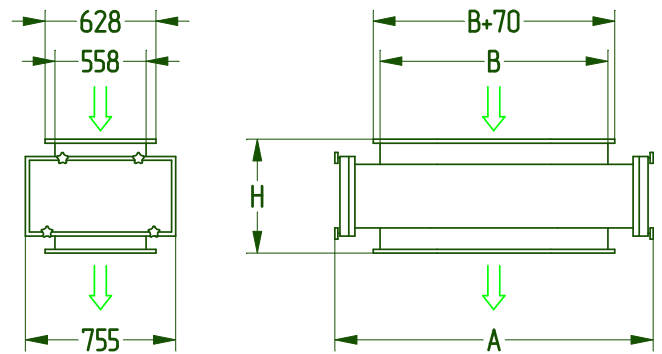
Special executions

UC-X : stainless steel AISI 304 execution.

UC-Atex: Atex execution II 2 G/D.



Single face type



Double face type